

# SUBMITTAL SHEET

## 807 Small Diameter Series

APOLLOXPRESS® Press End Copper Elbow  
90° CxC (½" through 2")



Job Name:	
Job Location:	
Engineer:	
Contractor:	
Tag:	
PO Number:	
Representative:	
Wholesale Distributor:	



### DESCRIPTION

The APOLLOXPRESS® 807 Small Diameter Press Elbow features a Lead-Free dezincification resistant copper body and an EPDM O-Ring. Our Small Diameter APOLLOXPRESS® products are manufactured utilizing proven ASTM materials and standards. Proudly Made In The USA.

### FEATURES

- Lead-Free Construction
- Leak-Before-Press Technology
- Compatible with Pro-Press™ Pressing Tools
- Approved for underground installation (per local installation code)
- Use with hard/soft ASTM B88 K, L & M Copper Tube
- Made in USA
- cUPC® Compliant
- ARRA Compliant

### PERFORMANCE RATING

- Maximum Pressure: 200 psi
- Temperature Range: 0°F to 250°F depending on application. Hot Water up to 250°F, Chilled Water down to 33°F

### APPROVALS

- NSF/ANSI NSF 61 – Water Quality
- NSF/ANSI NSF-372 – Lead Free (LF)
- IAPMO File Listings: 4861, 6174 & N-4951

### APOLLOXPRESS

- Small Diameter Sizes ½" through 2"
- Model 807, 90° Elbow C x C

### STANDARD MATERIALS

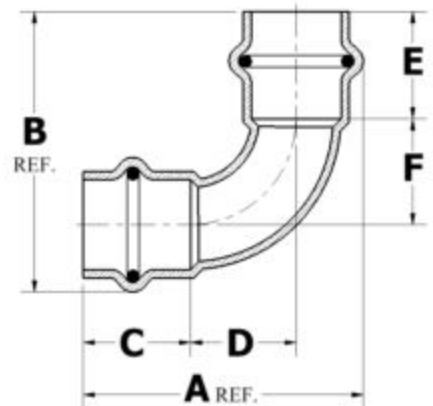
Part Name	Material
Body	UNS C12200 Copper
O-Ring	EPDM
Lubrication	Silicone, ANSI/NSF-61 Listed

### DIMENSIONS

Item No.	Description	Dimension (in.)									(lb.)
		A	B	C*	D**	E*	F**	Height	Width	Depth	
10075554	807 ½ CxC	1.97	1.97	0.76	0.75	0.76	0.75	1.97	1.97	0.95	0.11
10075556	807 ¾ CxC	2.58	2.58	0.93	1.03	0.93	1.03	2.58	2.58	1.24	0.19
10075052	807 1 CxC	2.97	2.97	0.92	1.31	0.92	1.31	2.97	2.97	1.49	0.31
10075078	807 1¼ CxC	3.83	3.83	1.09	1.87	1.09	1.87	3.83	3.83	1.75	0.46
10075080	807 1½ CxC	4.37	4.37	1.31	2.02	1.31	2.02	4.37	4.37	2.11	0.78
10075082	807 2 CxC	5.35	5.35	1.51	2.56	1.51	2.56	5.35	5.35	2.58	1.10

\* Tolerance +/- .045"

\*\* Tolerance +.09 / -.03



Elkhart Products Corporation  
1255 Oak Street, Elkhart, IN 46514  
www.elkhartproducts.com | (574) 264-3181

This specification is provided for reference only. Elkhart Products Corporation reserves the right to change any portion of this specification without notice and without incurring obligation to make such changes to Elkhart products previously or subsequently sold.

